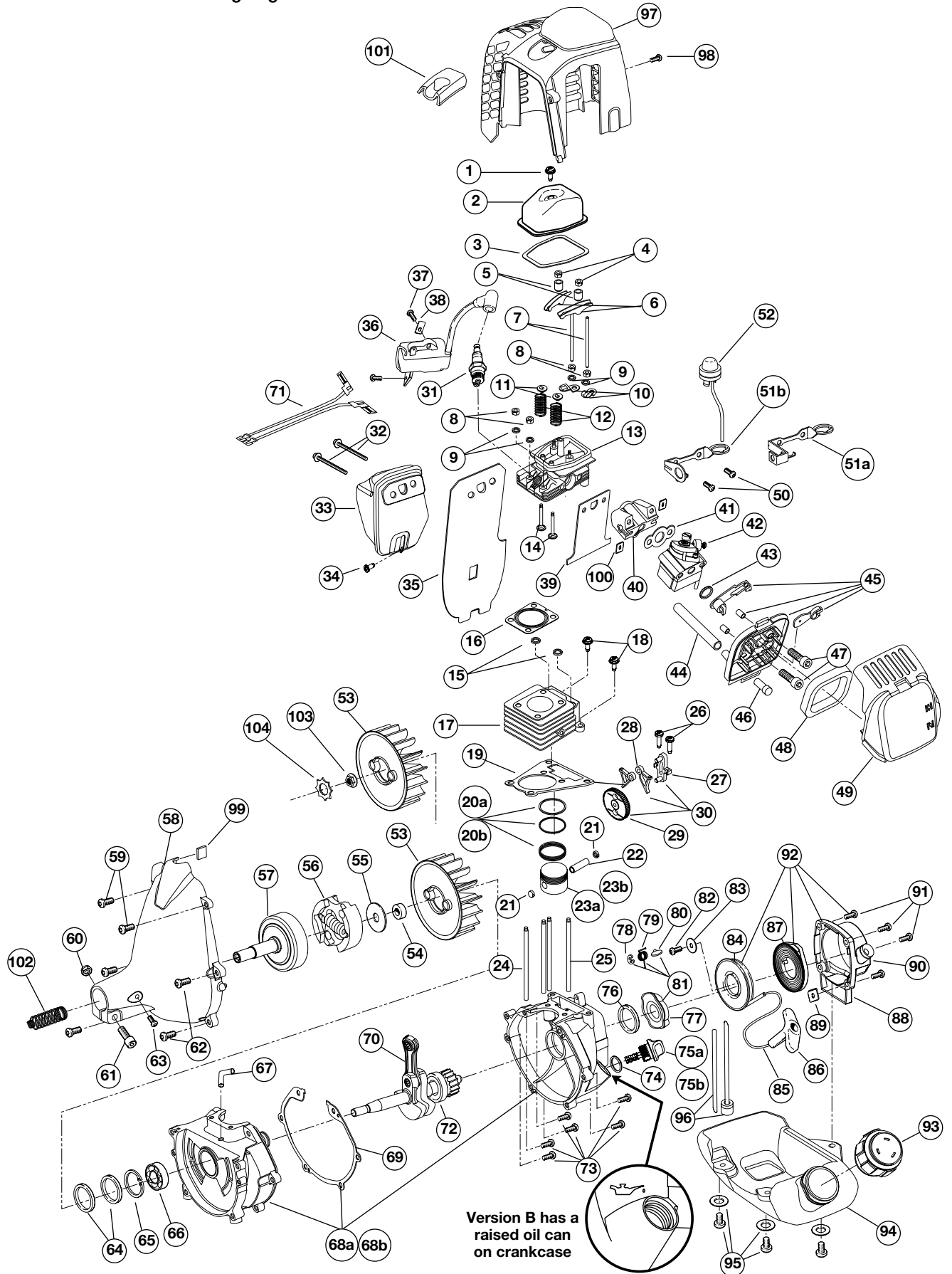


ENGINE PARTS - MODEL 1090r

4-CYCLE GAS TRIMMER

(Serial Number 81000001 and greater)

Part Numbers On Following Page



ENGINE PARTS - MODEL 1090r

4-CYCLE GAS TRIMMER

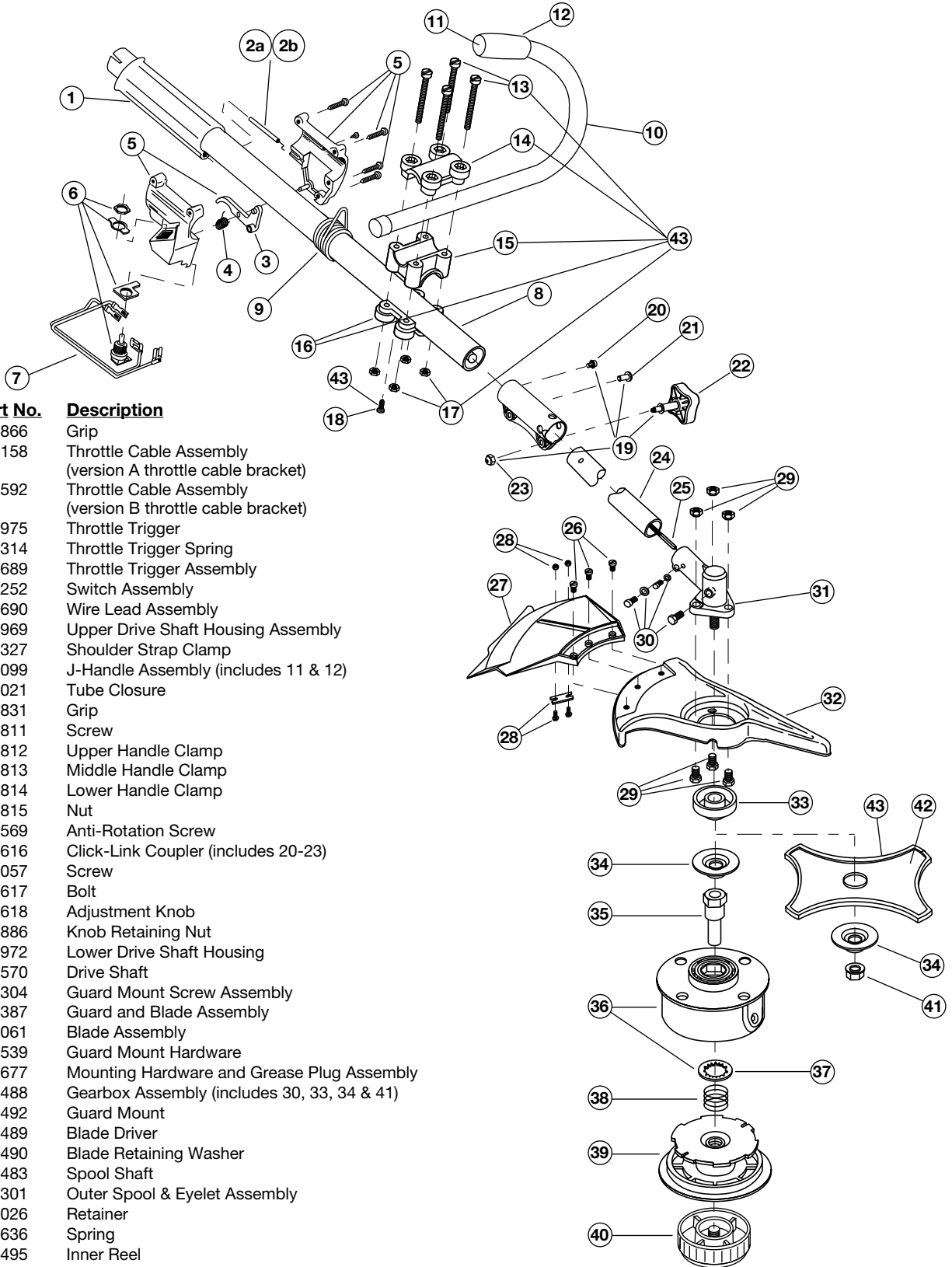
(Serial Number 81000001 and greater)

| <u>Item</u> | <u>Part No.</u> | <u>Description</u> | <u>Item</u> | <u>Part No.</u> | <u>Description</u> |
|-------------|-----------------|---|-------------|-----------------|---|
| 1 | 181025 | Valve Cover Screw | 58 | 182114 | Front Housing |
| 2 | 182098 | Valve Cover | 59 | 181764 | Screw |
| 3 | 182099 | Valve Cover Gasket | 60 | 181761 | Nut |
| 4 | 181030 | Rocker Adjustment Nut | 61 | 181760 | Engine Bolt |
| 5 | 182101 | Rocker Arm Pivot | 62 | 181003 | Screw |
| 6 | 182100 | Rocker Arm | 63 | 182188 | Anti-Rotation Screw |
| 7 | 181033 | Push Rod | 64 | 182127 | Oil Seal |
| 8 | 181034 | Hex Nut | 65 | 182128 | Snap Ring |
| 9 | 181035 | Washer | 66 | 182134 | Bearing |
| 10 | 182102 | Push Rod Guide | 67 | 182135 | 90° Elbow |
| 11 | 182103 | Valve Spring Retainer | 68a | 182140 | Crankcase (version A) (includes 73) |
| 12 | 181038 | Valve Spring | 68b | 182593 | Crankcase (version B) (includes 73) |
| 13 | 182306 | Cylinder Head with Valve Seal (includes 10-14) | 69 | 182136 | Crankcase Gasket |
| 14 | 181040 | Valve | 70 | 182139 | Crankshaft |
| 15 | 181000 | O-Ring | 71 | 182126 | Lead Wire |
| 16 | 181001 | Cylinder Head Gasket | 72 | 182138 | Bearing |
| 17 | 182132 | Cylinder | 73 | 182147 | Screw |
| 18 | 181003 | Screw (M5 x 18.7mm) | 74 | 181021 | O-Ring |
| 19 | 181004 | Cylinder Gasket | 75a | 181022 | Oil Cap Dipstick (version A crankcase) (includes 74) |
| 20a | 181005 | Piston Ring Set (1 Piece Oil Ring) | 75b | 182289 | Oil Cap Dipstick (version B crankcase) (includes 74) |
| 20b | 182295 | Piston Ring Set (3 Piece Oil Ring) | 76 | 182142 | Oil Seal |
| 21 | 181008 | Wrist Pin Button | 77 | 182187 | Pulley with Nut |
| 22 | 181006 | Wrist Pin | 78 | 181747 | Retaining Ring |
| 23 | 181007 | Piston (1 Piece Oil Ring) | 79 | 181746 | Spring |
| 23 | 182300 | Piston (3 Piece Oil Ring) | 80 | 181745 | Ratchet |
| 24 | 181010 | Cylinder Stud (83.5mm) | 81 | 182118 | Pulley Assembly (includes 77-88) |
| 25 | 181011 | Cylinder Stud (115.5mm) | 82 | 181740 | Screw |
| 26 | 181012 | Cam Bracket Screw | 83 | 181741 | Washer |
| 27 | 181013 | Cam Bracket | 84 | 181738 | Recoil Pully |
| 28 | 182123 | Cam Follower (Chromed) | 85 | 181742 | Rope |
| 29 | 182124 | Cam Gear | 86 | 181079 | Pull Handle |
| 30 | 182125 | Cam Bracket Assembly (includes 26-29) | 87 | 181739 | Recoil Spring |
| 31 | 180852 | Spark Plug | 88 | 182120 | Recoil Case |
| 32 | 182105 | Muffler Mounting Screw | 89 | 182121 | Square Nut |
| 33 | 182106 | Muffler | 90 | 182122 | Rope Guide |
| 34 | 181020 | Screw | 91 | 182143 | Screw |
| 35 | 182107 | Muffler Gasket | 92 | 182117 | Recoil Case Assembly (includes 82-91) |
| 36 | 182108 | Module | 93 | 181083 | Fuel Cap |
| 37 | 181066 | Screw | 94 | 182130 | Fuel Tank |
| 38 | 611063 | Ground Tab | 95 | 182144 | Screw with Washer |
| 39 | 182131 | Insulator Gasket | 96 | 182129 | Fuel Line Assembly |
| 40 | 182109 | Insulator | 97 | 182145 | Engine Cover |
| 41 | 181709 | Carburetor Gasket | 98 | 182146 | Screw |
| 42 | 182110 | Carburetor | 99 | 182157 | Wire Grommet |
| 43 | 181751 | O-Ring, Carburetor | 100 | 182159 | Nut |
| 44 | 182096 | Breather Hose | 101 | 182293 | Spark Plug Cover |
| 45 | 182111 | Air Cleaner Assembly | 102 | 612468 | Spring |
| 46 | 182097 | Breather assembly | 103 | 182261 | Nut (version A flywheel mounting) |
| 47 | 182133 | Screw | 104 | 182591 | Lock Washer (version A flywheel mounting) |
| 48 | 182116 | Air Filter | * | 182595 | Crankcase Assembly (includes 24, 25 & 64-76) |
| 49 | 182115 | Air Cleaner Cover | * | 182594 | Short Block Assembly (includes 1-30, & 64-76) |
| 50 | 182105 | Screw | * | 182307 | Valve Stem Seal |
| 51a | 182112 | Throttle Cable Bracket (version A) | * | 182153 | Spark Arrestor Screen |
| 51b | 182589 | Throttle Cable Bracket (version B) | * | 182156 | AC-10 Carburetor Repair Kit |
| 52 | 181054 | Primer and Line Assembly | | | |
| 53 | 182113 | Flywheel | | | |
| 54 | 181731 | Spacer (version B flywheel mounting) | | | |
| 55 | 182590 | Clutch Washer | | | |
| 56 | 181730 | Clutch | | | |
| 57 | 180232 | Clutch Drum | | | |
| | | | * | | Parts not shown |

BOOM AND TRIMMER PARTS - MODEL 1090r

4-CYCLE GAS TRIMMER

(Serial Number 81000001 and greater)



| Item | Part No. | Description |
|------|----------|---|
| 1 | 180866 | Grip |
| 2a | 182158 | Throttle Cable Assembly (version A throttle cable bracket) |
| 2b | 182592 | Throttle Cable Assembly (version B throttle cable bracket) |
| 3 | 180975 | Throttle Trigger |
| 4 | 610314 | Throttle Trigger Spring |
| 5 | 181689 | Throttle Trigger Assembly |
| 6 | 180252 | Switch Assembly |
| 7 | 181690 | Wire Lead Assembly |
| 8 | 181969 | Upper Drive Shaft Housing Assembly |
| 9 | 610327 | Shoulder Strap Clamp |
| 10 | 181099 | J-Handle Assembly (includes 11 & 12) |
| 11 | 612021 | Tube Closure |
| 12 | 612831 | Grip |
| 13 | 181811 | Screw |
| 14 | 181812 | Upper Handle Clamp |
| 15 | 181813 | Middle Handle Clamp |
| 16 | 181814 | Lower Handle Clamp |
| 17 | 181815 | Nut |
| 18 | 145569 | Anti-Rotation Screw |
| 19 | 181616 | Click-Link Coupler (includes 20-23) |
| 20 | 182057 | Screw |
| 21 | 181617 | Bolt |
| 22 | 181618 | Adjustment Knob |
| 23 | 181886 | Knob Retaining Nut |
| 24 | 181972 | Lower Drive Shaft Housing |
| 25 | 181570 | Drive Shaft |
| 26 | 683304 | Guard Mount Screw Assembly |
| 27 | 180387 | Guard and Blade Assembly |
| 28 | 682061 | Blade Assembly |
| 29 | 147539 | Guard Mount Hardware |
| 30 | 147677 | Mounting Hardware and Grease Plug Assembly |
| 31 | 147488 | Gearbox Assembly (includes 30, 33, 34 & 41) |
| 32 | 147492 | Guard Mount |
| 33 | 147489 | Blade Driver |
| 34 | 147490 | Blade Retaining Washer |
| 35 | 612483 | Spool Shaft |
| 36 | 683301 | Outer Spool & Eyelet Assembly |
| 37 | 612026 | Retainer |
| 38 | 610636 | Spring |
| 39 | 147495 | Inner Reel |
| 40 | 180814 | Bump Head Knob Assembly |
| 41 | 181699 | Lock Nut |
| 42 | 145873 | Blade (includes 43) |
| 43 | 613231 | Blade Cover |
| 44 | 683295 | Handle Bracket Assembly (items 13 thru 18) |
| * | 613226 | Locking Rod Tool |
| * | 682075 | Shoulder Harness Assembly |

Optional Accessories

- * 147345 Reel and Line Assembly
- * 180014 Blade Retaining Kit (items 34 & 41)